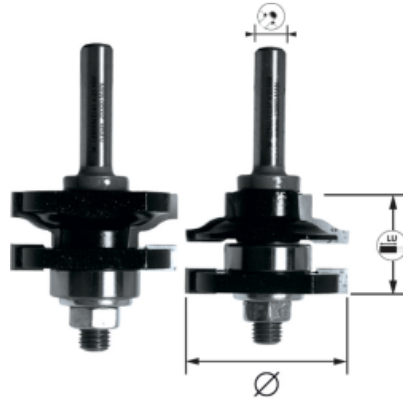


## SET OF 2 ASSEMBLY DRILL BITS + GUIDE

- Profile/counter-profile assembly with a wide bonding surface in the wood, following the template.
- Spare part : bearing 890.002.09.



**SOLID WOOD**



WOOD

**EN847-1**



### SPECIFICATIONS:

REF							
4398.700.01	1	41	8	N°1	25	2	3510784398707
4398.700.03	1	41	8	N°3	25	2	3510784398738

SOLID WOOD

WOOD-DERIVED PANELS

METAL

TILE

CONCRETE MASONRY

STONE TILE

MULTI MATERIALS

PLASTER & SOFT MATERIALS

ASPHALT

ACCESSORIES